

MiaSolé FLEX SERIES -02NL

CIGS Flexible Modules: High Power Density in a Flexible Form Factor

KEY FEATURES

- ▶ Record efficiency levels in a CIGS flexible form factor
- ▶ Low installed weight at less than 2.9kg/m² (<0.6lb/ft²)
- ▶ No penetrations, ballast or racking required
- ▶ Applicable for high wind load and high seismic hazard areas
- ▶ Bypass diodes reduce PV system shading losses
- ▶ Directly bonds to many approved surfaces

RELIABILITY AND SAFETY

- ▶ IEC 61646, IEC 61730-1 & -2, IEC 61701, IEC 62716, DEWA
- ▶ UL 1703, ULC ORD C1703, UL 2703

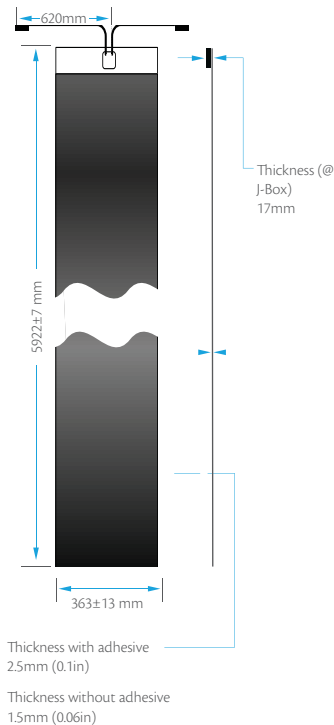
WARRANTY

- ▶ 5 year workmanship
- ▶ 10/25 year warranty against power loss



MiaSolé FLEX SERIES

FLEX-02NL SERIES CIGS MODULE



ELECTRICAL PERFORMANCE AT STC†

| | | | FLEX-02 265NL ¹ | FLEX-02 275NL ² | FLEX-02 285NL ³ | FLEX-02 295NL ⁴ | FLEX-02 305NL ⁵ |
|------------------------|-----------|-----|----------------------------|----------------------------|----------------------------|----------------------------|----------------------------|
| Nominal Power | P_{MPP} | [W] | 265 | 275 | 285 | 295 | 305 |
| Nominal Efficiency | η | [%] | 14.7% | 15.3% | 15.8% | 16.4% | 16.9% |
| Power Output Tolerance | | [W] | +10/-0 | +10/-0 | +10/-0 | +10/-0 | +10/-0 |
| Maximum Power Voltage | V_{MPP} | [V] | 69.0 | 70.7 | 72.3 | 73.8 | 75.3 |
| Maximum Power Current | I_{MPP} | [A] | 3.84 | 3.89 | 3.94 | 4.00 | 4.05 |
| Open Circuit Voltage | V_{OC} | [V] | 87.9 | 89.0 | 90.0 | 91.0 | 92.1 |
| Short Circuit Current | I_{SC} | [A] | 4.51 | 4.52 | 4.54 | 4.55 | 4.57 |
| Maximum Series Fuse | | [A] | 10 | | | | |
| Maximum System Voltage | IEC/UL | [V] | 1000/600 | | | | |

¹Results based on preliminary testing

THERMAL CHARACTERISTICS

| | | |
|--------------------------------------|--------|-------|
| NOCT | [°C] | 48 |
| Temperature Coefficient of P_{MPP} | [%/°C] | -0.38 |
| Temperature Coefficient of V_{OC} | [%/°C] | -0.28 |
| Temperature Coefficient of I_{SC} | [%/°C] | 0.008 |

PHYSICAL AND MECHANICAL SPECIFICATIONS¹

| | |
|---------------------------------------|--|
| Length | 5922±7 mm (233.1±.3 in) |
| Width | 363±13 mm (14.29±.5 in) |
| Thickness, Maximum at J-Box*, Module | 17 mm (0.7 in) |
| Weight (Module without adhesive) | 4.3 kg (9.5 lb) |
| Weight (Module with adhesive) | 5.9 kg (13.1 lb) |
| Weight/Area (Module without adhesive) | 2.0 kg/m ² (0.4 lb/ft ²) |
| Weight/Area (Module with adhesive) | 2.9 kg/m ² (0.6 lb/ft ²) |
| Junction Box Type | IP68 |
| Cable Connections | Amphenol Technology Shenzhen (E346053) |
| Cell Type | Copper Indium Gallium Diselenide (CIGS) |
| Warranty** | 5 year workmanship; 10/25 year power output |
| Certifications | UL 1703, ULC ORD C1703, UL 2703, IEC 61646, IEC 61730-1 & -2, IEC 61701, IEC 62716, DEWA |

[†]Results based on preliminary testing

*2.5 mm (0.1 in) for the rest of the module with adhesive

**1.5 mm (0.06 in) for the rest of module without adhesive

***Please see full warranty for details

Corresponding UL/IEC Model Numbers:

¹ FLEX-02 265N C132

² FLEX-02 275N C132

³ FLEX-02 285N C132

⁴ FLEX-02 295N C132

⁵ FLEX-02 305N C132



2590 Walsh Avenue, Santa Clara, California 95051, USA
1.408.919.5700 info@miasole.com www.miasole.com

FLEX modules are manufactured in the United States and China

MiaSolé and the MiaSolé logo are registered trademarks.
© 2018 MiaSolé. All rights reserved. Specifications included in this datasheet are subject to change without notice.
MiaSolé Approved for Public Release.
Part Number 990-190440-00_4